



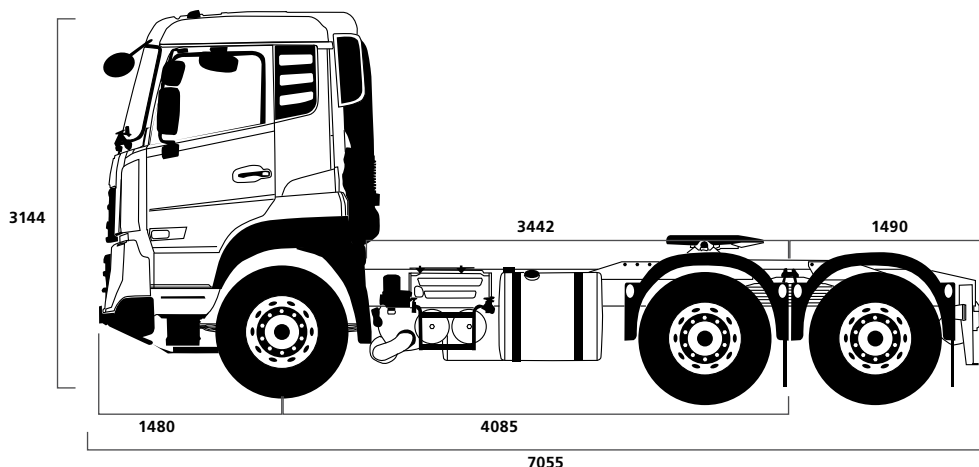
UD TRUCKS

Quester

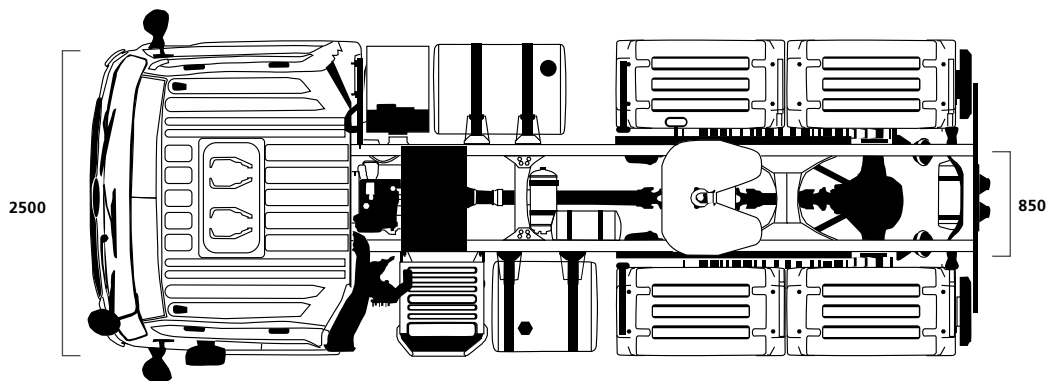
GWE 440

E54

VEHICLE		E54
Model		GWE 440
Manufacturers Code		GWE64T11MJ
Model Description		6x4 Truck Tractor
MASS		
Tare – total (T) *	kg	8 084
Tare Frt / Rr	kg	4 426/3 658
GVM	kg	31 000
V	kg	25 700
GCM	kg	60 000
D/T	kg	56 000
Axle – front GA/GAU	kg	8 000
Axle – front A/AU	kg	7 700
Axle – rear GA/GAU	kg	23 000
Axle – rear A/AU	kg	18 000
* Tools included in tare		Yes
PERFORMANCE		
Gradeability at V	%	77.4
Gradeability at D/T	%	35.5
Max. geared road speed	km/h	114.4
MAJOR DIMENSIONS		
Overall length	mm	7 055
Overall width	mm	2 500
Wheelbase	mm	4 085
CA – cab to rear axle	mm	3 295
ROH – Centre of rear axle to end of frame	mm	1 490
Turning radius (curb to curb)	mm	7 900
ENGINE		
Model		GH11E
Capacity	cm <sup>3</sup>	10 837
Layout		In line six cylinders
Type		Turbo Intercooled (Unit Injectors)
Power at r/min	kW	330 @ 1 900
Torque at r/min	Nm	2 010 @ 1 100-1 400
Emissions standard		EUR III
TRANSMISSION		
Model		Escot-ATO2612F
Shift		Automated manual
No. of gears forward		12
First gear ratio		11.729
Top gear ratio		0.785
Transmission PTO		Prepared for PTO fitment
CLUTCH		
Model		Organic
Type		Single Plate
Diameter	mm	430
Operation		Automated



<b>DRIVE AXLE</b>		
Model		RTS2670B
Reduction type		Tandem Single Reduction
Final ratio		4.63
<b>SUSPENSION</b>		
Front		Parabolic leaf spring
Rear		Multileaf Spring
Shock absorbers		Standard-front and rear
Stabilisers		Front Standard
<b>STEERING</b>		
Operation		Power Assisted
Steering Wheel Tilt & Telescopic		Standard
<b>BRAKES</b>		
System type		Full air
Front		S-cam Drum Brake
Rear		S-cam Drum Brake
Electronic brake system		ABS
Park/emergency system		Front and rear spring brakes
Exhaust brake		Standard
Engine brake		Standard
Retarder		Standard
<b>ELECTRICAL AND FUEL</b>		
Fuel tank 1 capacity	ltrs	490 aluminium tank
Fuel tank 2 capacity	ltrs	330 aluminium tank
<b>TYRES</b>		
Size – front		315/80R22.5
Size – rear		315/80R22.5
<b>RIMS</b>		
Type-front		Aluminium
Type-rear		Aluminium
<b>INTERIOR</b>		
Type		Standard roof single sleeper (With cab back mattress)
Cab suspension		Air suspended
No. of bunks		1
No. of seats		2
Seat Belts		Standard – ELR with Reminder
Seats		Fully adjustable air suspension with arm rest (Driver), Fixed passenger
Air conditioning		Standard
Radio/USB		Standard
On-board computer		Multi Display function
Tilt cab		Mechanical
Speed limiter	km/h	80
Rear View Mirrors		6 total (Front and LHS close proximity, rear and wide angle RHS & LHS)
12 Volt Power Outlet		Standard in Dash
Cruise control		Standard
Rear lower storage underbunk		Standard
Driver Fuel Coaching Tool		Standard
Telematics Communication Gateway		Gateway with GSM/GPRS/EDGE



Specifications and options may differ depending on each country due to regulations or special requirements. Dimensions and devices may be changed without prior notice. Please contact your nearest UD Trucks dealer for further details.

