



QUON

CG32 430 | 460 8x4



SPECIFICATIONS

Power:	GH11TC - 316 kW (430 PS) @ 1600 rpm GH11TD - 338 kW (460 PS) @ 1700 rpm
Torque:	GH11TC - 2000 Nm (1475 lb.ft) @ 950 rpm GH11TD - 2250 Nm (1659 lb.ft) @ 1000 rpm
Transmission:	ESCOT-VI automated manual transmission (AMT)
Rear Suspension:	Leaf spring or electronically controlled air suspension
Wheelbase:	Refer weights and dimensions table
GVM:	32,000 kg
GCM:	55,000 kg (430hp) 60,000 kg (460 hp)

Note: CG 32 460 shown may not be representative of actual vehicle.

QUON UNIQUE FEATURES



SMART FUEL EFFICIENCY AND RESPECT FOR THE ENVIRONMENT

GH11 engine: fuel efficient, powerful and clean.



SMART UPTIME

Quon has been designed to further optimise uptime, with superior reliability and increased maintenance intervals.



SMART SAFETY

Active safety with mechanical and electronic features throughout.



SMART PRODUCTIVITY

Light weight chassis helping to maximise payload.



SMART DRIVABILITY

The cabin has been designed with the user's comfort in mind, with outstanding ergonomics and visibility allowing the driver to concentrate on driving.

GENERAL SPECIFICATIONS

SAFETY

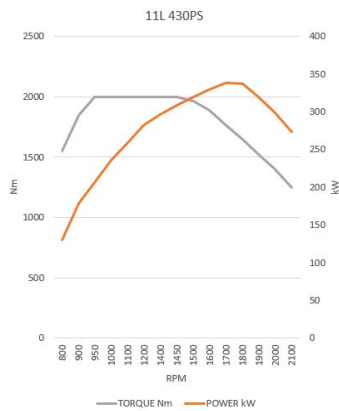
Passive Safety:	Highly rigid cabin Side door beams Front underrun protection system (FUPS) SRS driver steering wheel airbag Driver side seat belt with pre-tensioner Steering wheel & column with impact absorption function
Active Safety:	Traffic Eye Brake System Traffic Eye Cruise Control with auto stop and driver initiate go LDWS (Lane Departure Warning System) Electronic Stability Control (UDSC) Automatic Hill Start Assist (HSA) Lane change support LHS & RHS Blind side information system LHS & RHS
Basic Safety:	LED Headlamps Disc brakes Anti Locking Brake System Emergency Braking System UD Extra Engine Braking (UD EEB) Safe Brake Blending Immobiliser Two-step entry and exit

ENGINE

Model:	GH11TC GH11TD
Description:	6 cylinder, 4 stroke diesel engine
Displacement:	10,837 cc
Bore x stroke:	123 mm x 152 mm
Compression ratio:	17.5:1
Max. governed engine speed:	2,100 rpm

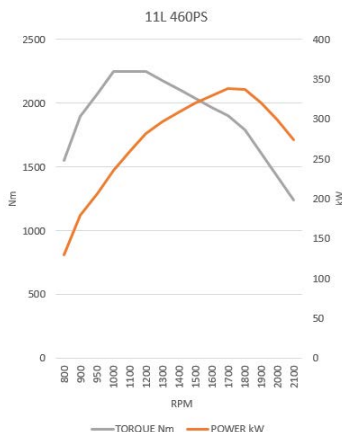
GH11TC430PS

316kW(430PS) @ 1,600rpm
2,000Nm (1475 lb-ft)
@ 950 -1,450rpm



GH11TD460PS

338KW(460PS) @ 1,700rpm
2,250Nm (1659 lb-ft)
@ 1,000 - 1,200rpm



FUEL AND INTAKE SYSTEM

Fuel capacity:	400 litres
Injection type:	High pressure common rail direct fuel injection system
Filtration:	Chassis mounted primary filter and engine mounted secondary filter

EMISSION CONTROL

Emission standard:	pPNLT (Japan 2016)
Adblue capacity:	50 litres
Exhaust system:	RHS chassis mounted box muffler

ELECTRICAL

Power:	24 volt, negative ground system
Battery capacity:	2 x 12 volt 165 Ah batteries
Alternator:	150 amp

TRANSMISSION

Make:	UD Trucks																												
Model:	ESCOT-VI (AT02612F)																												
Description:	Automated manual transmission (AMT) 12 forward & 2 reverse gears																												
Shift type:	Electronic shifter with fully automatic or manual control																												
Gear ratios:	<table border="0"> <tr> <td>1st</td> <td>11.73</td> <td>7th</td> <td>2.70</td> </tr> <tr> <td>2nd</td> <td>9.21</td> <td>8th</td> <td>2.12</td> </tr> <tr> <td>3rd</td> <td>7.09</td> <td>9th</td> <td>1.63</td> </tr> <tr> <td>4th</td> <td>5.57</td> <td>10th</td> <td>1.28</td> </tr> <tr> <td>5th</td> <td>4.35</td> <td>11th</td> <td>1.00</td> </tr> <tr> <td>6th</td> <td>3.41</td> <td>12th</td> <td>0.78</td> </tr> <tr> <td>Rev 1</td> <td>13.73</td> <td>Rev 2</td> <td>10.78</td> </tr> </table>	1st	11.73	7th	2.70	2nd	9.21	8th	2.12	3rd	7.09	9th	1.63	4th	5.57	10th	1.28	5th	4.35	11th	1.00	6th	3.41	12th	0.78	Rev 1	13.73	Rev 2	10.78
1st	11.73	7th	2.70																										
2nd	9.21	8th	2.12																										
3rd	7.09	9th	1.63																										
4th	5.57	10th	1.28																										
5th	4.35	11th	1.00																										
6th	3.41	12th	0.78																										
Rev 1	13.73	Rev 2	10.78																										
PTO capacity:	500 Nm @ 103% or 81% (PTR-FH6) 1000 Nm @ 115% or 90% (PTR-D)																												

FRONT AXLE AND SUSPENSION SYSTEM

Ground capacity:	14,200 kg
Axle type:	Reverse Elliot I-Beam
Suspension:	Parabolic leaf spring with shock absorbers. Y Wheelbase fitted with Load Share front suspension
Spring dimensions:	90mm x 1460mm
Spring constant:	347.7 N/mm

REAR AXLE AND SUSPENSION SYSTEM

Ground capacity:	20,000 kg
Axle type / model:	Single reduction, hypoid gear, with cross locks
Final reduction ratio:	4.13 air, 4.50 leaf
LEAF SUSPENSION:	Multi-leaf spring suspension, with rubber cushions
Description:	
Leaf dimensions:	75mm x 1380mm
AIR SUSPENSION:	8 air bag
Description:	2 telescopic double acting
Shock absorbers:	Electronic Controlled Air Suspension with remote control mounted in cab (ECAS4)
Control system:	

BRAKES		Side windows:	Power operated door glass
Type:	Electronic braking system (EBS) with disc brakes	Security:	Remote central locking with immobiliser
Front/Rear:	430 mm rotors / 430 mm rotors	Air conditioning:	Fully automatic climate controlled airconditioning with recirculation filter
Park brakes:	Hand-operated pneumatic spring park brake on drive axles	Multimedia unit:	6.5" capacitive multi-touch screen TFT 800x480 RGB min USB: 1 x front, 3 x rear automotive 2GB RAM and 16GB total flash memory Bluetooth 4.1 - A2DP with hands free, phone contacts transfer, call history & SMS WIFI embedded 802.11 b/g/n Built in Gyro Built in chipset GPS with external antenna Internal microphone with optional external Camera inputs: 4 inputs, reverse, body, left & right side. Hardwire reverse camera input with CAN interface
Auxiliary brake:	Exhaust plus engine compression type (EEB)	Storage:	Multiple in-cab compartments
Trailer connections:	Air and electrical connections to rear of chassis	Power outlet:	24 volt 240W & 12 volt 120W in dash
STEERING		DIN accessory fitment:	Two DIN sized compartments
Type:	Recirculating ball and screw with hydraulic assist	Floor covering:	Vinyl
Steering gear ratio:	24.1 - 26.8 : 1	EXTERNAL CABIN	
Column:	Adjustable, tilt and telescopic control	Cab Description:	Forward control, pressed steel construction
Steering wheel:	460 mm diameter with ignition key steering lock	Mounting type:	Full floating, 4 bag air suspended cab with 4 dual acting shock absorbers and dual automatic height control valves.
WHEELS & TYRES		Cab paint:	Standard – Polar White
Wheels:	8.25in X 22.5in rim with 165mm offset and ISO 10 stud pattern (335mm PCD)	Inspection points:	Back of the cab and front panel
Front tyres Leaf sus:	295/80 R22.5 Bridgestone	Bumper type:	3 piece with steel corner panels
Rear tyres Leaf sus:	11R 22.5 Bridgestone	Mirrors:	Heated and electrically operated main mirrors with flat glass, wide vision and passenger-side downward facing spot mirrors
Front tyres Air sus:	275/70 22.5 Bridgestone	Lamps:	LED head lamps (low beam) Bumper mounted fog lamps Roof mounted clearance lights
Rear tyres Air sus:	275/70 22.5 Bridgestone	Wipers:	Triple arm, 2 speed wipers with variable intermittent operation and integrated washers
FRAME		Reversing system:	Reverse beeper
Width:	850 mm		
Side rail dimensions:	300 mm x 90 mm x 8 mm		
Material:	Rolled high tensile carbon steel		
Tensile strength:	600MPa		
STANDARD DRIVER AIDS			
Warning systems:	Visual warning lamps with audible warning tones, plus written warnings displayed on LCD screen		
Driver assistance:	Driver information including: date, time, oil pressure, voltmeter, trip information Electronic stalk mounted cruise control		
INTERNAL CABIN			
Lighting:	Dual ON/OFF/DOOR interior lights Interior neon cabin lamp		
Seating capacity:	Two		
Driver's seat:	Air-suspended seat with adjustable shock absorber, recliner, height control, armrest & lumbar adjustment		
Passenger seat/s:	Assistant seat with adjustable head rest		
Sleeping capability:	ADR 42/04 compliant sleeper bunk with mattress		

WEIGHTS AND DIMENSIONS (approx.)

i) CG 32 430

Variant	Model	WB Code	GVM	GCM	Front Tare	Rare Tare	Total Tare	WB	TWB	OL	OW	OH	FT	RT	FW	AS	FOH	ROH	RFL	BOC	CA	GC	FHF	FHR
Air	CG32430AS	T	32000	55000	5810	3020	8980	5200	5885	9917	2490	2945	2044	1833	850	1370	1392	2510	3195	735	4466	200	1000	1015
	CG32430AS	Y			5900	3470	9370	6400	7085	11966	2490	2938	2044	1833	850	1370	1392	3360	4045		5635	200	1000	1015
Leaf	CG32430L	V			5730	3530	9270	5700	6385	11566	2490	2985	2044	1833	850	1370	1392	3660	4345		4965	247	1045	1091

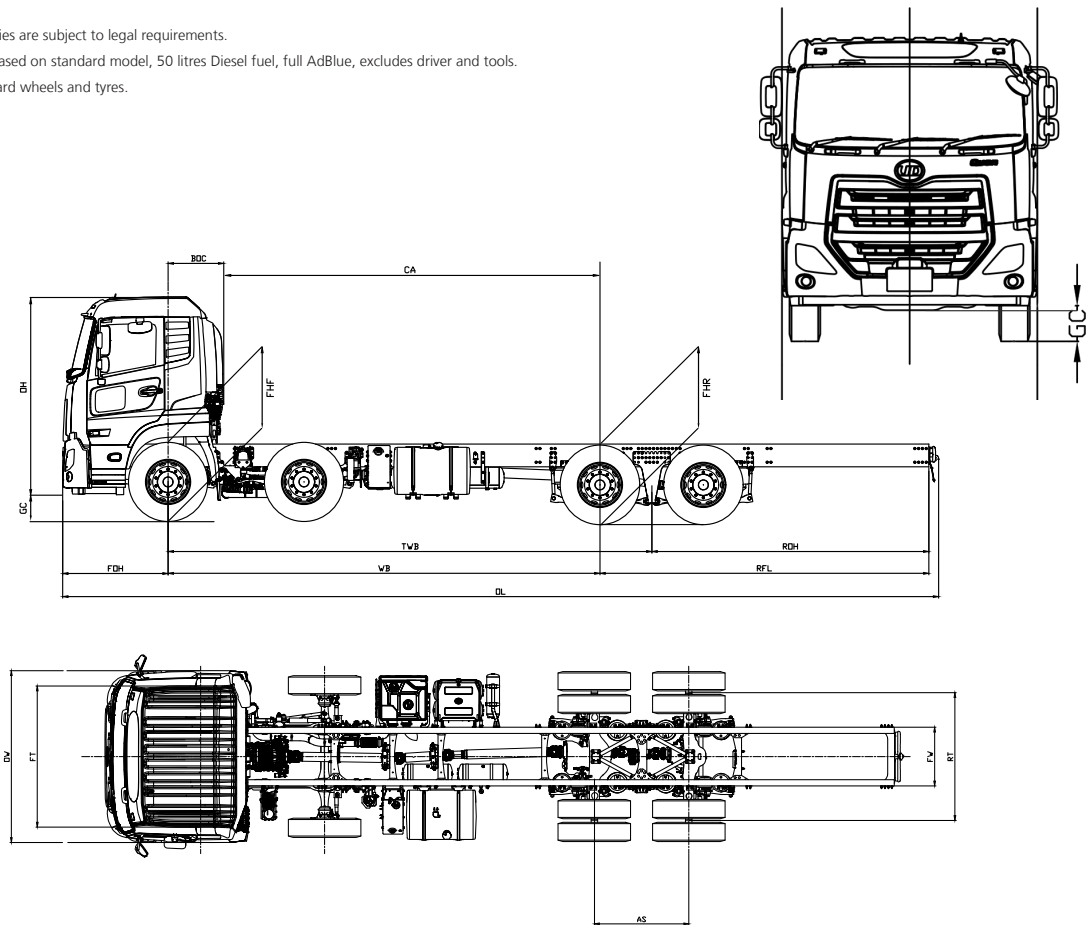
i) CG 32 460

Variant	Model	WB Code	GVM	GCM	Front Tare	Rare Tare	Total Tare	WB	TWB	OL	OW	OH	FT	RT	FW	AS	FOH	ROH	RFL	BOC	CA	GC	FHF	FHR
Air	CG32460AS	T	32000	60000	5810	3020	8980	5200	5885	9917	2490	2945	2044	1833	850	1370	1392	2510	3195	735	4466	200	1000	1015
	CG32460AS	Y			5900	3470	9370	6400	7085	11966	2490	2938	2044	1833	850	1370	1392	3360	4045		5635	200	1000	1015
Leaf	CG32460L	V			5730	3530	9270	5700	6385	11566	2490	2985	2044	1833	850	1370	1392	3660	4345		4965	247	1045	1091

Rated GVM and axle capacities are subject to legal requirements.

Mass is an estimation only based on standard model, 50 litres Diesel fuel, full AdBlue, excludes driver and tools.

Based on vehicle with standard wheels and tyres.



WARRANTY

Standard warranty*
Driveline warranty*

24 months / 250,000 kms
36 months / 300,000 kms

*For details refer to your UD Trucks New Vehicle Warranty brochure